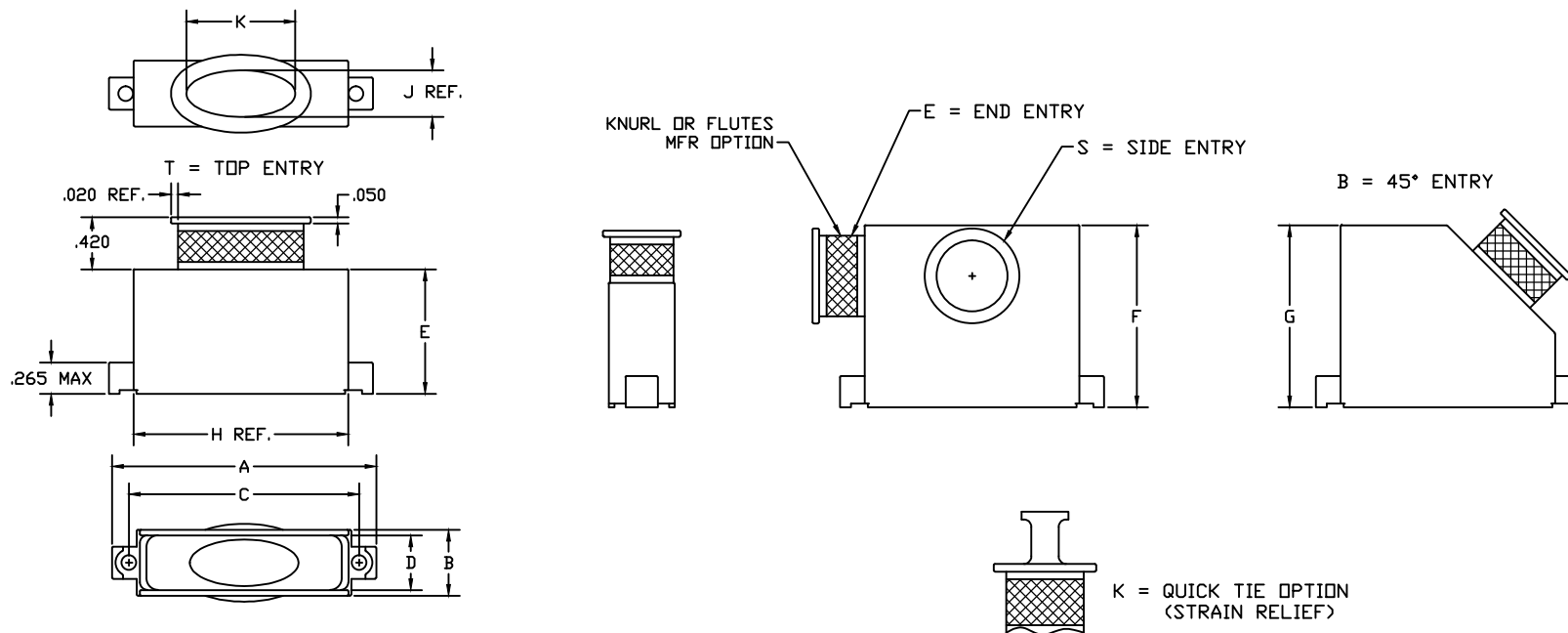


NOTES:

1. SEE TABLE I FOR MATERIAL & FINISH.
2. SEE TABLE II FOR BACKSHELL SIZE DIMENSIONS.
3. SEE TABLE III FOR CABLE ENTRY TOP & 45°, SIZE 1-4 DIMENSIONS.
4. SEE TABLE IV FOR CABLE ENTRY TOP & 45° SIZE 5 & 6 DIMENSIONS.
5. SEE TABLE V FOR CABLE ENTRY SIDE & END SIZE 5 & 6 DIMENSIONS.
6. SEE TABLE VI FOR MOUNTING HARDWARE OPTIONS.
7. CONNECTORS SHALL CONFORM TO ALL INTERMATABILITY AND APPLICABLE PERFORMANCE REQUIREMENTS AS SET FORTH BY MIL-DTL-24308.
8. DRAWING IS SUPPORTED BY ELECTRONIC SOLID MODEL, DRAWING IS NOT FULLY DIMENSIONED.

REVISION HISTORY			
REV	DESCRIPTION	DATE	APPROVED



PART NUMBER BREAKOUT:

F557-316 I W 4 03 C K-5 B

FILCONN-VERSION _____
 ENTRY LOCATION _____
 MATERIAL & FINISH _____
 SHELL SIZE _____
 CABLE ENTRY _____
 HARDWARE _____
 (OMIT FOR SOCKET HEAD)
 QUICK TIE _____
 (OMIT IF NOT REQUIRED)
 HEIGHT OF BACKSHELL (1/4" INCR.) _____
 (OMIT FOR STANDARD HEIGHT)
 BAND-IT BAND _____
 (OMIT IF NOT REQUIRED)

DRAWN: D. DAVIS	DATE: 11/12/13	UNLESS OTHERWISE SPECIFIED DIMENSIONS ARE IN INCHES TOLERANCES ARE: DECIMALS ANGLES .XXX ± .003 ± 1° .XX ± .005 .X ± .010	CHANDLER FILConn ARIZONA			
CHECKED:	DATE:		F557-316 D-SUB BACKSHELLS MASTER DRAWING			
QUALITY:	DATE:					
APPROVED:	DATE:		FSCM: 3L5N9	DWG NUMBER: FILCONN-557-316	SIZE A	REV A
		SCALE: NTS	SHEET: 1	DATASET FILCONN-557-316 SH01 A.DWG		PAGE 1 OF 2

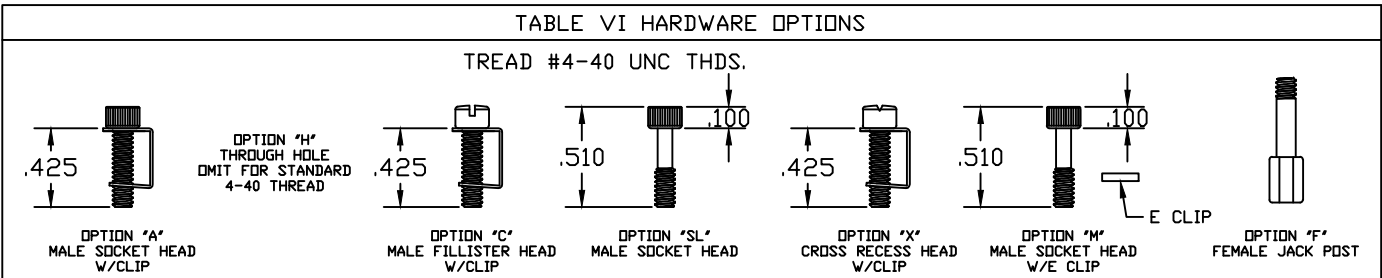
TABLE I MATERIAL & FINISH (ALUMINUM ALLOY UNLESS OTHERWISE NOTED)	
F	Electroless Nickel -85°F to +392°F(-65°C to -200°C)
W	Olive Drab Cadmium over Electroless Nickel plate, -85°F to +347°F(-65°C to +175°C)
NT	Nickel Teflon (Consult factory for details)
Z	Yellow Cadmium over Electroless Nickel Plate.
E	CHEM FILM

TABLE II CONNECTER INTERFACE & BACKSHELL DIMENSIONS								
SHELL SIZE	A MAX	B +.020	C ±.005	D REF	E MAX	F MAX	G MAX	H MAX
1	1.250	.520	.984	.440	.695	1.413	1.035	.856
2	1.580	.520	1.312	.440	.695	1.413	1.035	1.186
3	2.130	.520	1.852	.440	.945	1.413	1.035	1.727
4	2.770	.520	2.500	.440	.945	1.595	1.035	2.383
5	2.680	.629	2.406	.549	1.135	1.595	1.125	2.287
6	2.770	.690	2.500	.610	1.265	1.595	1.185	2.405

TABLE III CABLE ENTRY DIMENSIONS TOP & 45° SHELL SIZES 1-4		
ENTRY SIZE	J DIA	K
16	.188	N/A
18	.205	N/A
23	.250	N/A
30	.312	N/A
31	.375	N/A
32	.438	N/A
33	.562	.723
34	.650	.967
35	.562	1.250

TABLE IV CABLE ENTRY DIMENSIONS TOP & 45° SHELL SIZES 5 & 6		
ENTRY SIZE	J DIA	K
16	.188	N/A
23	.250	N/A
30	.312	N/A
31	.375	N/A
32	.438	N/A
33	.562	N/A
34	.460	1.380
35	.460	1.500

TABLE V CABLE ENTRY DIMENSIONS SIDE & END SHELL SIZES 5 & 6		
ENTRY SIZE	J DIA	K
16	.188	N/A
23	.250	N/A
30	.312	N/A
31	.375	N/A
32	.438	N/A
33	.562	N/A
34	.650	N/A
35	.650	.967



CHANDLER		FILConn		ARIZONA	
F557-316 D-SUB BACKSHELLS MASTER DRAWING					
FSCM: 3L5N9	DWG NUMBER: FILCONN-557-316	SIZE A	REV A		
SHEET: 1	DATASET FILCONN-557-316 SH01 A.DWG	PAGE 2	OF 2		