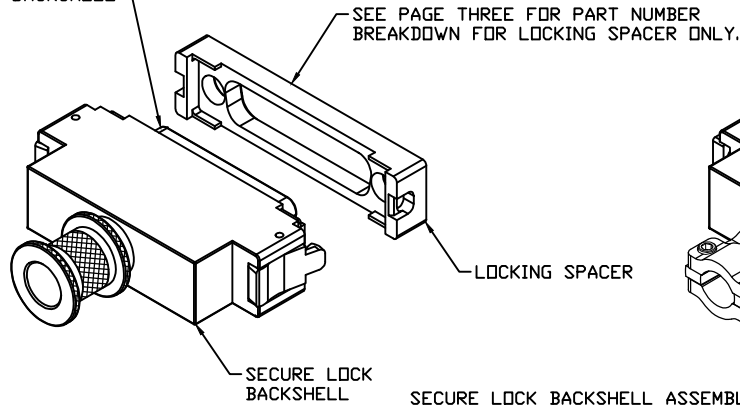


NOTES:

1. SEE TABLE I FOR MATERIAL & FINISH.
2. SEE TABLE II FOR CABLE ENTRY SIZE.
3. SEE TABLE III FOR SHELL SIZE DIMENSIONS.
4. CONNECTORS SHALL CONFORM TO ALL INTERMATABILITY AND APPLICABLE PERFORMANCE REQUIREMENTS AS SET FORTH BY MIL-DTL-24308.
5. DRAWING IS SUPPORTED BY ELECTRONIC SOLID MODEL, DRAWING IS NOT FULLY DIMENSIONED.
6. ALL BACKSHELL KITS ARE SUPPLIED WITH BACKSHELL, LOCKING SPACER, SPRING BAND AND ALL MOUNTING HARDWARE (SEE TABLE II FOR SPRING BAND PART NUMBERS). SADDLE CLAMPS ARE SUPPLIED WITH ALL NECESSARY HARDWARE.

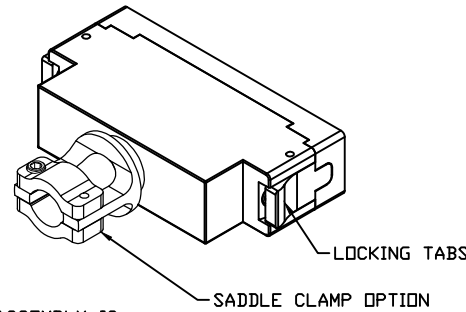
REVISION HISTORY			
REV	DESCRIPTION	DATE	APPROVED

CONNECTOR SHOWN BUT NOT SUPPLIED WITH BACKSHELL

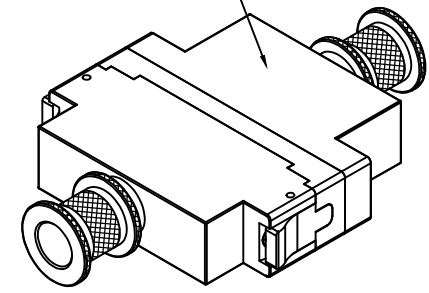


UNMATED ASSEMBLY

CABLE TO CABLE BACKSHELL SOLD SEPARATELY
SEE PAGE 4 FOR PART NUMBER BREAKDOWN,
DIMENSIONS AND DETAILS



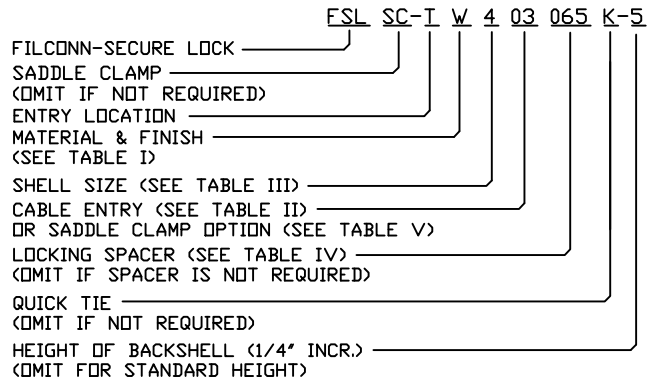
MATED ASSEMBLY
SHOWN WITH SADDLE CLAMP OPTION



OPTIONAL CABLE TO CABLE
ASSEMBLY

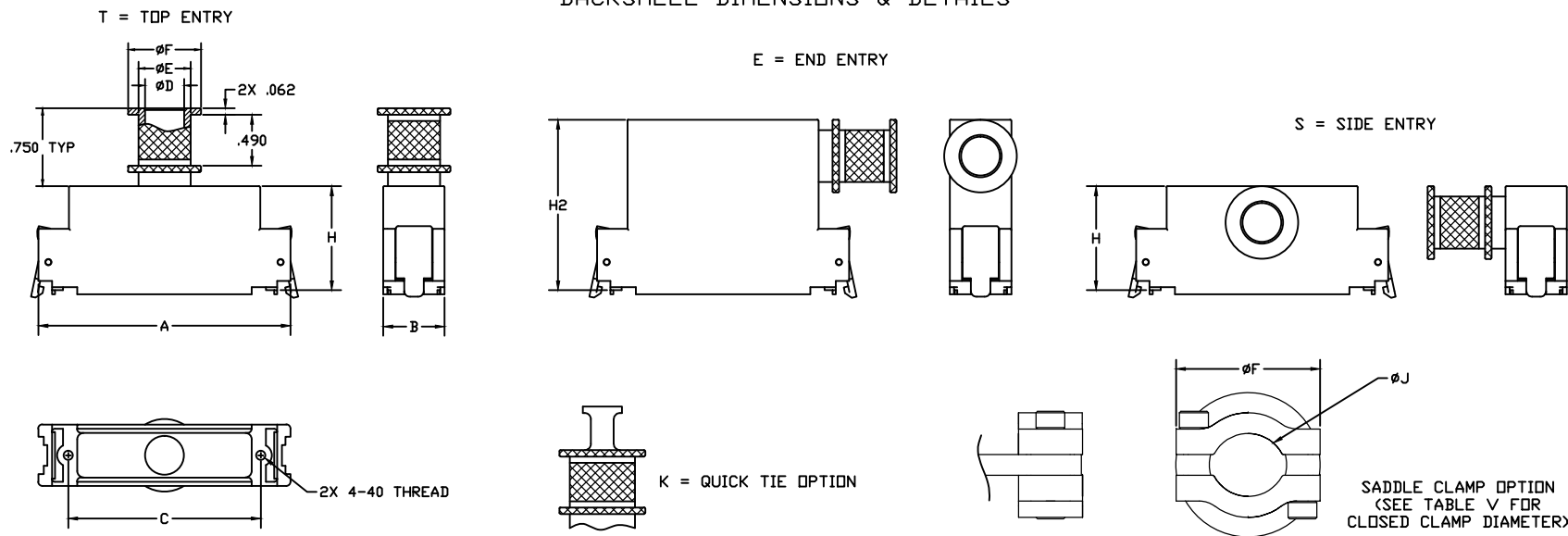
SECURE LOCK BACKSHELL ASSEMBLY IS SUPPLIED WITH BACKSHELL, LOCKING SPACER, SPRING BAND AND ALL MOUNTING HARDWARE.

**KIT OPTION
PART NUMBER BREAKOUT:**



DRAWN: D. DAVIS	DATE: 8/10/13	UNLESS OTHERWISE SPECIFIED DIMENSIONS ARE IN INCHES TOLERANCES ARE: DECIMALS ANGLES .XXX ± .015 ± 1° .XX ± .020 .X ± .030	CHANDLER FILConn ARIZONA			
CHECKED:	DATE:		SECURE LOCK M24308 D-SUB BACKSHELL CUSTOMER DRAWING			
QUALITY:	DATE:		FSCM: 3L5N9	DWG NUMBER: FILCONN SECURE LOCK	SIZE A	REV C
APPROVED:	DATE:		SCALE: NTS	SHEET: 1	DATASET FILCONN SECURE LOCK SH01	PAGE 1 OF 4

BACKSHELL DIMENSIONS & DETAILS



F	Electroless Nickel -85°F to +392°F(-65°C to -200°C)
W	Oilive Drab Cadmium over Electroless Nickel plate, -85°F to +347°F(-65°C to +175°C)
NT	Nickel Teflon (Consult factory for details)
Z	Yellow Cadmium over Electroless Nickel Plate.
E	CHEM FILM
ZNU	ZINC-NICKEL WITH BLACK CHROMATE

ENTRY SIZE	D	E	F	H	H2	SPRING BAND P/N
31	.188	.312	.512	1.00	1.46	FCSB01
02	.250	.375	.575	1.00	1.52	FCSB01
32	.312	.438	.638	1.00	1.58	FCSB01
03	.375	.500	.700	1.00	1.64	FCSB02
33	.438	.562	.762	1.00	1.70	FCSB02
04	.500	.625	.825	1.00	1.76	FCSB02
34	.562	.688	.888	1.00	1.82	FCSB03
05	.625	.750	.950	1.00	1.88	FCSB03

SHELL SIZE	A MAX	B	C	MAX CABLE ENTRY
1	1.550	.53	.984	33
2	1.880	.53	1.312	33
3	2.430	.53	1.852	33
4	3.070	.53	2.500	33
5	2.980	.66	2.406	34
6	3.070	.73	2.500	05

KIT OPTION
PART NUMBER BREAKOUT:

FSL SC-T W 4 03 065 K-5

FILCONN-SECURE LOCK _____

SADDLE CLAMP _____

(OMIT IF NOT REQUIRED)

ENTRY LOCATION _____

MATERIAL & FINISH _____

(SEE TABLE I)

SHELL SIZE (SEE TABLE III) _____

CABLE ENTRY (SEE TABLE II) _____

OR SADDLE CLAMP OPTION (SEE TABLE V) _____

LOCKING SPACER (SEE TABLE IV) _____

(OMIT IF SPACER IS NOT REQUIRED)

QUICK TIE _____

(OMIT IF NOT REQUIRED)

HEIGHT OF BACKSHELL (1/4" INCR.) _____

(OMIT FOR STANDARD HEIGHT)

ENTRY SIZE	D	J	F
31	.188	.088	.512
02	.250	.150	.575
32	.312	.212	.638
03	.375	.275	.700
33	.438	.338	.762
04	.500	.400	.825
34	.562	.462	.888
05	.625	.525	.950

CHANDLER		FILConn		ARIZONA	
SECURE LOCK M24308 D-SUB BACKSHELL CUSTOMER DRAWING					
FSCM: 3L5N9	DWG NUMBER: FILCONN SECURE LOCK			SIZE A	REV C
SHEET: 2	DATASET FILCONN SECURE LOCK SH01.DWG			PAGE 2	OF 4

TABLE IV LOCKING SPACER OPTION	
SPACER #	CUSTOMER SUPPLIED PANEL THICKNESS
000	USE WITH CABLE TO CABLE OPTION
025	USE WITH PANEL THICKNESS - .015" TO .035"
045	USE WITH PANEL THICKNESS - .035" TO .055"
065	USE WITH PANEL THICKNESS - .055" TO .075"
085	USE WITH PANEL THICKNESS - .075" TO .095"
105	USE WITH PANEL THICKNESS - .095" TO .115"
125	USE WITH PANEL THICKNESS - .115" TO .135"

KIT OPTION
PART NUMBER BREAKOUT:

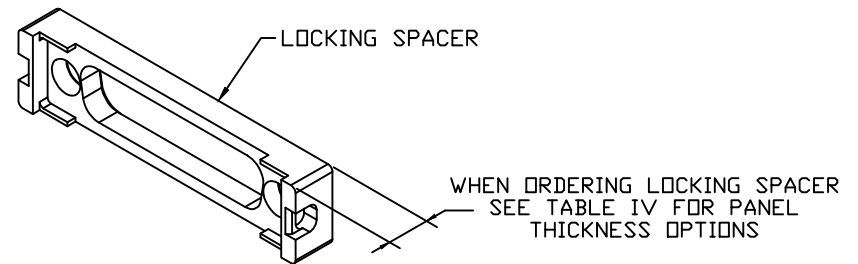
FSL SC-T W 4 03 065 K-5

FILCONN-SECURE LOCK _____
 SADDLE CLAMP _____
 (OMIT IF NOT REQUIRED)
 ENTRY LOCATION _____
 MATERIAL & FINISH _____
 (SEE TABLE I)
 SHELL SIZE (SEE TABLE III) _____
 CABLE ENTRY (SEE TABLE II) _____
 OR SADDLE CLAMP OPTION (SEE TABLE V) _____
 LOCKING SPACER (SEE TABLE IV) _____
 (OMIT IF SPACER IS NOT REQUIRED)
 QUICK TIE _____
 (OMIT IF NOT REQUIRED)
 HEIGHT OF BACKSHELL (1/4" INCR.) _____
 (OMIT FOR STANDARD HEIGHT)

SPACER ONLY OPTION
PART NUMBER BREAKOUT:

FSLS-W 4 065

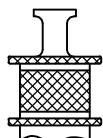
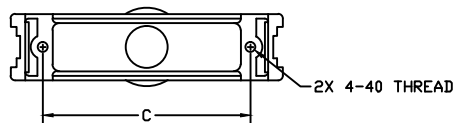
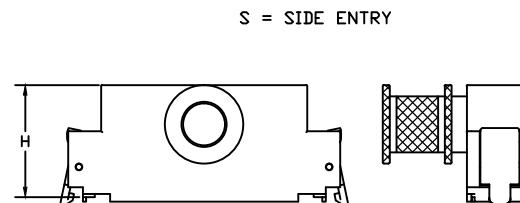
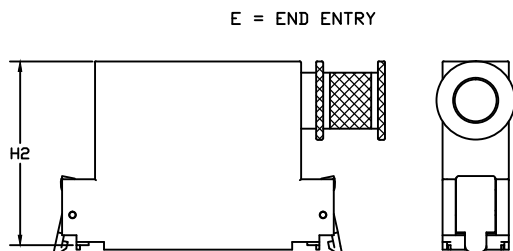
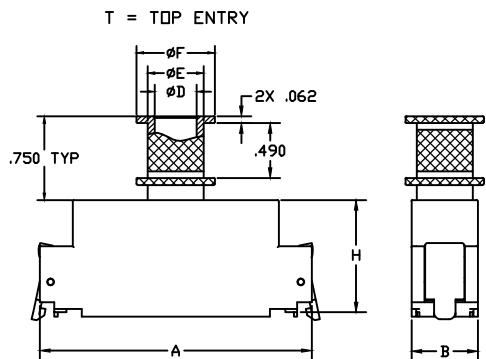
FILCONN-SECURE LOCK SPACER _____
 MATERIAL & FINISH _____
 (SEE TABLE I)
 SHELL SIZE (SEE TABLE III) _____
 LOCKING SPACER (SEE TABLE IV) _____



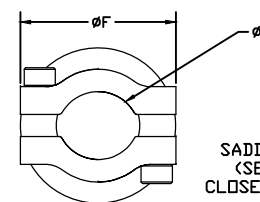
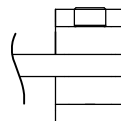
LOCKING SPACER IS SUPPLIED WITH BACKSHELL KIT AND IS ALSO AVAILABLE FOR PURCHASE SEPARATELY. SEE PART NUMBER BREAKOUT BELOW FOR BOTH OPTIONS. BOTH OPTIONS ARE SUPPLIED WITH MOUNTING HARDWARE.

CHANDLER		FILConn		ARIZONA	
SECURE LOCK M24308 D-SUB BACKSHELL CUSTOMER DRAWING					
FSCM: 3L5N9	DWG NUMBER: FILCONN SECURE LOCK	SIZE A	REV C		
SHEET: 2	DATASET FILCONN SECURE LOCK SH01.DWG	PAGE 3	OF 4		

OPTIONAL CABLE TO CABLE BACKSHELL
BACKSHELL DIMENSIONS & DETAILS
(SOLD SEPARATELY)



K = QUICK TIE OPTION



SADDLE CLAMP OPTION
(SEE TABLE V FOR
CLOSED CLAMP DIAMETER)

F	Electroless Nickel -85°F to +392°F(-65°C to -200°C)
W	Olive Drab Cadmium over Electroless Nickel plate, -85°F to +347°F(-65°C to +175°C)
NT	Nickel Teflon (Consult factory for details)
Z	Yellow Cadmium over Electroless Nickel Plate.
E	CHEM FILM
ZNU	ZINC-NICKEL WITH BLACK CHROMATE

ENTRY SIZE	D	E	F	H	H2	SPRING BAND P/N
31	.188	.312	.512	1.00	1.46	FCSB01
02	.250	.375	.575	1.00	1.52	FCSB01
32	.312	.438	.638	1.00	1.58	FCSB01
03	.375	.500	.700	1.00	1.64	FCSB02
33	.438	.562	.762	1.00	1.70	FCSB02
04	.500	.625	.825	1.00	1.76	FCSB02
34	.562	.688	.888	1.00	1.82	FCSB03
05	.625	.750	.950	1.00	1.88	FCSB03

SHELL SIZE	A MAX	B	C	MAX CABLE ENTRY
1	1.550	.53	.984	33
2	1.880	.53	1.312	33
3	2.430	.53	1.852	33
4	3.070	.53	2.500	33
5	2.980	.66	2.406	34
6	3.070	.73	2.500	05

KIT OPTION
PART NUMBER BREAKOUT:

FSL SC-T W 4 03 065 K-5

- FILCONN-SECURE LOCK _____
- SADDLE CLAMP _____
- (OMIT IF NOT REQUIRED)
- ENTRY LOCATION _____
- MATERIAL & FINISH _____
- (SEE TABLE I)
- SHELL SIZE (SEE TABLE III) _____
- CABLE ENTRY (SEE TABLE II) _____
- OR SADDLE CLAMP OPTION (SEE TABLE V) _____
- LOCKING SPACER (SEE TABLE IV) _____
- (OMIT IF SPACER IS NOT REQUIRED)
- QUICK TIE _____
- (OMIT IF NOT REQUIRED)
- HEIGHT OF BACKSHELL (1/4" INCR.) _____
- (OMIT FOR STANDARD HEIGHT)

ENTRY SIZE	D	J	F
31	.188	.088	.512
02	.250	.150	.575
32	.312	.212	.638
03	.375	.275	.700
33	.438	.338	.762
04	.500	.400	.825
34	.562	.462	.888
05	.625	.525	.950

CHANDLER		FILConn		ARIZONA	
SECURE LOCK M24308 D-SUB BACKSHELL CUSTOMER DRAWING					
FSCM: 3L5N9	DWG NUMBER: FILCONN SECURE LOCK	SIZE A	REV C		
SHEET: 2	DATASET FILCONN SECURE LOCK SH01.DWG	PAGE 4	OF 4		