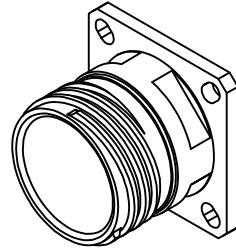


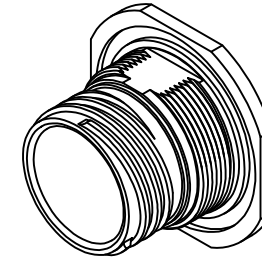
NOTES:

1. SEE TABLE I FOR SIZE & DIMENSIONS.
2. SEE TABLE II FOR MATERIAL & FINISH.
3. CONNECTORS SHALL CONFORM TO ALL INTERMATABILITY AND APPLICABLE PERFORMANCE REQUIREMENTS AS SET FORTH BY MIL-DTL-38999/20 & MIL-DTL-38999/24
4. DRAWING IS SUPPORTED BY ELECTRONIC SOLID MODEL, DRAWING IS NOT FULLY DIMENSIONED.

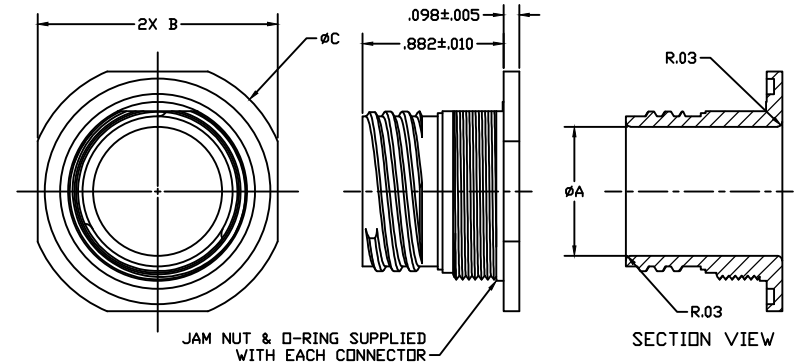
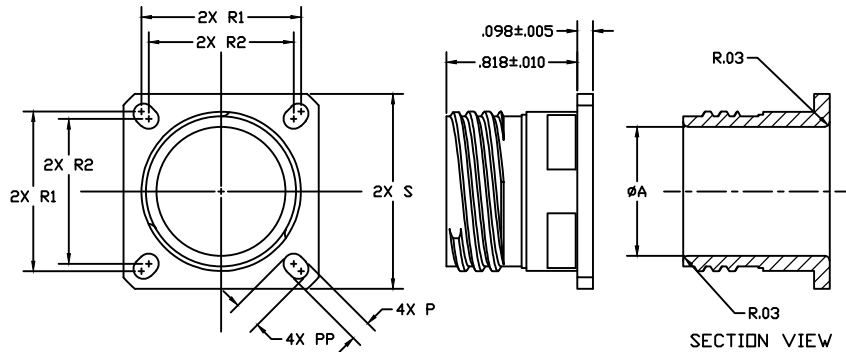
REVISION HISTORY			
REV	DESCRIPTION	DATE	APPROVED



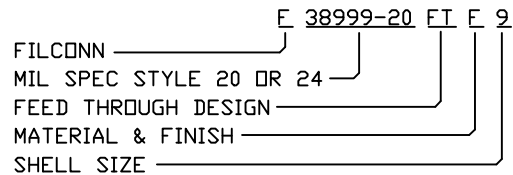
STYLE 20
D38999/20



STYLE 24
D38999/24



PART NUMBER BREAKOUT:



DRAWN: D.S.	DATE: 3/15/14	UNLESS OTHERWISE SPECIFIED DIMENSIONS ARE IN INCHES TOLERANCES ARE: DECIMALS ANGLES .XXX ± .003 ± 1° .XX ± .005 .X ± .010	CHANDLER FILConn ARIZONA			
CHECKED:	DATE:		MIL-DTL-38999/20 & 24 FEED THROUGH CONNECTOR MASTER DRAWING			
QUALITY:	DATE:		FSCM: 3L5N9	DWG NUMBER: FILCONN-D38999-FT	SIZE A	REV A
APPROVED:	DATE:		SCALE: NTS	SHEET: 1	DATASET FILCONN-D38999-FT SH01.DWG	PAGE 1 OF 2

TABLE I FEED THROUGH CONNECTOR DIMENSIONS									
SHELL SIZE	SHELL SIZE CODE	A ±.010	B ±.005	C ±.005	P ±.008	PP ±.008	R1 ±.005	R2 ±.005	S ±.010
9	A	.493	1.063	1.189	.128	.216	.719	.594	.937
11	B	.621	1.252	1.374	.128	.194	.812	.719	1.031
13	C	.770	1.374	1.500	.128	.194	.906	.812	1.126
15	D	.895	1.500	1.626	.128	.173	.969	.906	1.220
17	E	1.020	1.626	1.752	.128	.194	1.062	.969	1.311
19	F	1.123	1.811	1.937	.128	.194	1.156	1.062	1.437
21	G	1.250	1.937	2.063	.128	.194	1.250	1.156	1.563
23	H	1.375	2.063	2.189	.154	.242	1.375	1.250	1.689
25	J	1.500	2.189	2.311	.154	.242	1.500	1.375	1.811

TABLE II MATERIAL & FINISH (ALUMINUM ALLOY UNLESS OTHERWISE NOTED)	
F	Electroless Nickel -85°F to +392°F(-65°C to -200°C)
W	Olive Drab Cadmium over Electroless Nickel plate, -85°F to +347°F(-65°C to +175°C)
NT	Nickel Teflon
Z	Yellow Cadmium over Electroless Nickel Plate.
XM	Electroless Nickel over Composite (ULTEM 2300)
XW	Olive Drab Cadmium over Electroless Nickel over Composite (ULTEM 2300)
XNT	Nickel Teflon over Composite (ULTEM 2300)
S	STAINLESS STEEL PASSIVATED

PART NUMBER BREAKOUT:

FILCONN _____ E 38999-20 FT E 2
MIL SPEC STYLE 20 OR 24 _____
FEED THROUGH DESIGN _____
MATERIAL & FINISH _____
SHELL SIZE _____

CHANDLER		FILConn		ARIZONA	
MIL-DTL-38999/20 & 24 FEED THROUGH CONNECTOR MASTER DRAWING					
FSCM: 3L5N9	DWG NUMBER: FILCONN-D38999-FT	SIZE A	REV A		
SHEET: 1	DATASET FILCONN-D38999-FT SH01.DWG	PAGE 2	OF 2		